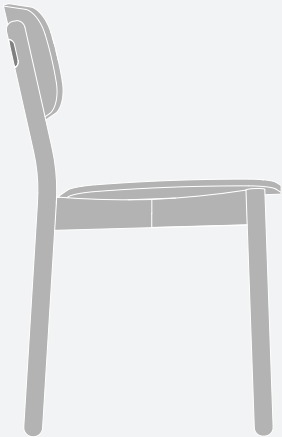


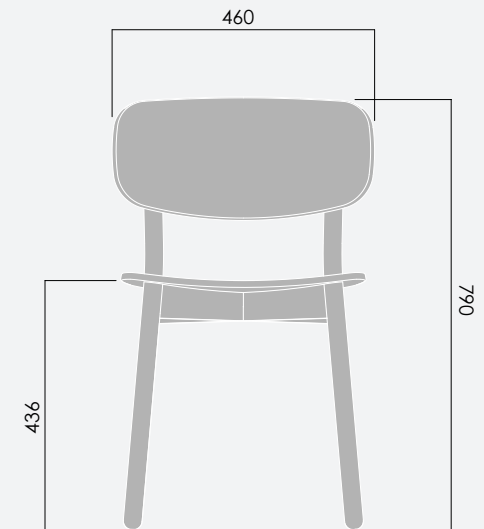
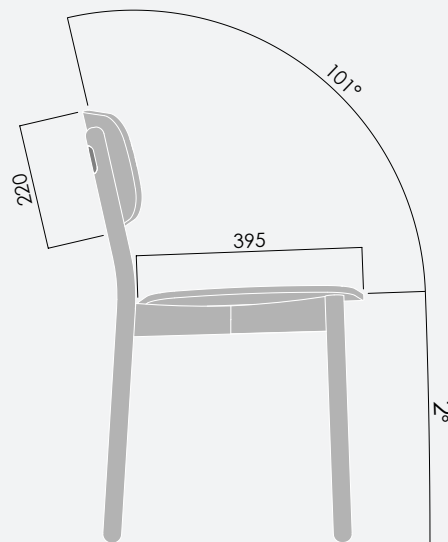
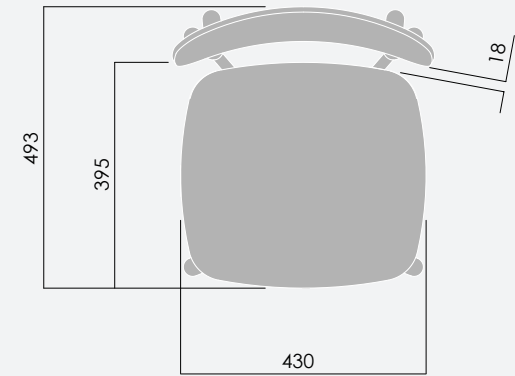
okidoki™
Technical Specifications.



okidoki™

Technical Specifications.

OKS-2000 - Timber Chair



	Finish	Material
Legs:	Clear lacquer	Timber
Seat/Back Rest:	Clear lacquer	Plywood
Leg cap:	Powdercoat	Aluminium

okidoki™

Technical Specifications. Chair Finishes



Plywood Seat and Back Rest

12mm moulded plywood
Exposed plywood edge
Finish to match legs, clear lacquer



Okidoki Timber Frame and Legs

Ash - Standard



Powdercoat Leg Cap Colours

Satin White - Standard
Premium 1 Powdercoat colours - Matte Black / Wedgewood / Signal Red / Lemon Yellow / Pale Eucalypt

